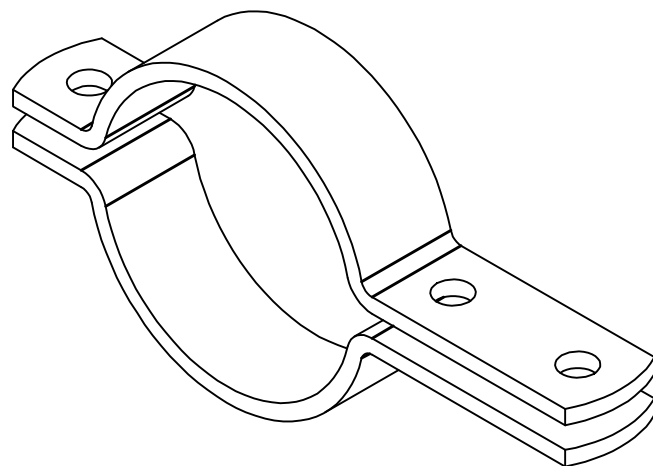


FIRST BASE

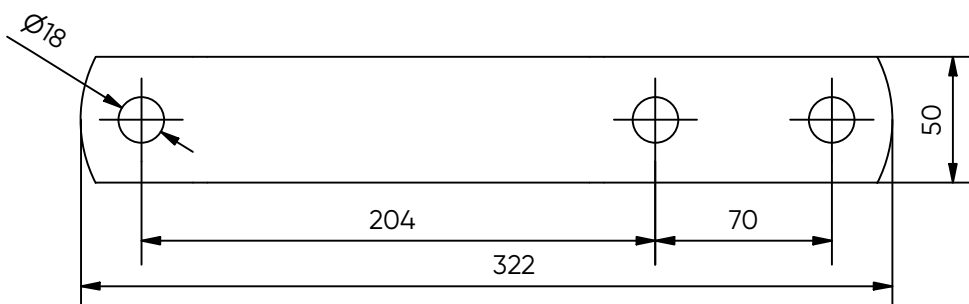
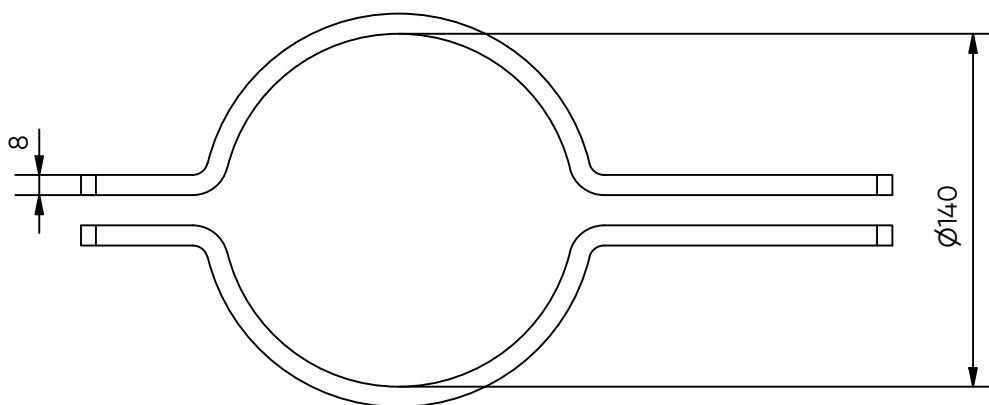
Tube Clamp DIN 3567 (set) model B Ø140



Art. No:	71009
Weight:	0,3 kg
Dimensions:	Product: 322 x 50 x 155 mm
Materials:	Steel grade: S235 Surface treatment: Galvanized acc. to EN-ISO 1461
Installation:	
Use:	Use for all Ø140mm products
Fixation:	M16 Bolts
Products to combine:	Use for all Ø140mm products



3D view (1:3)



CE-certificate conform EN1090