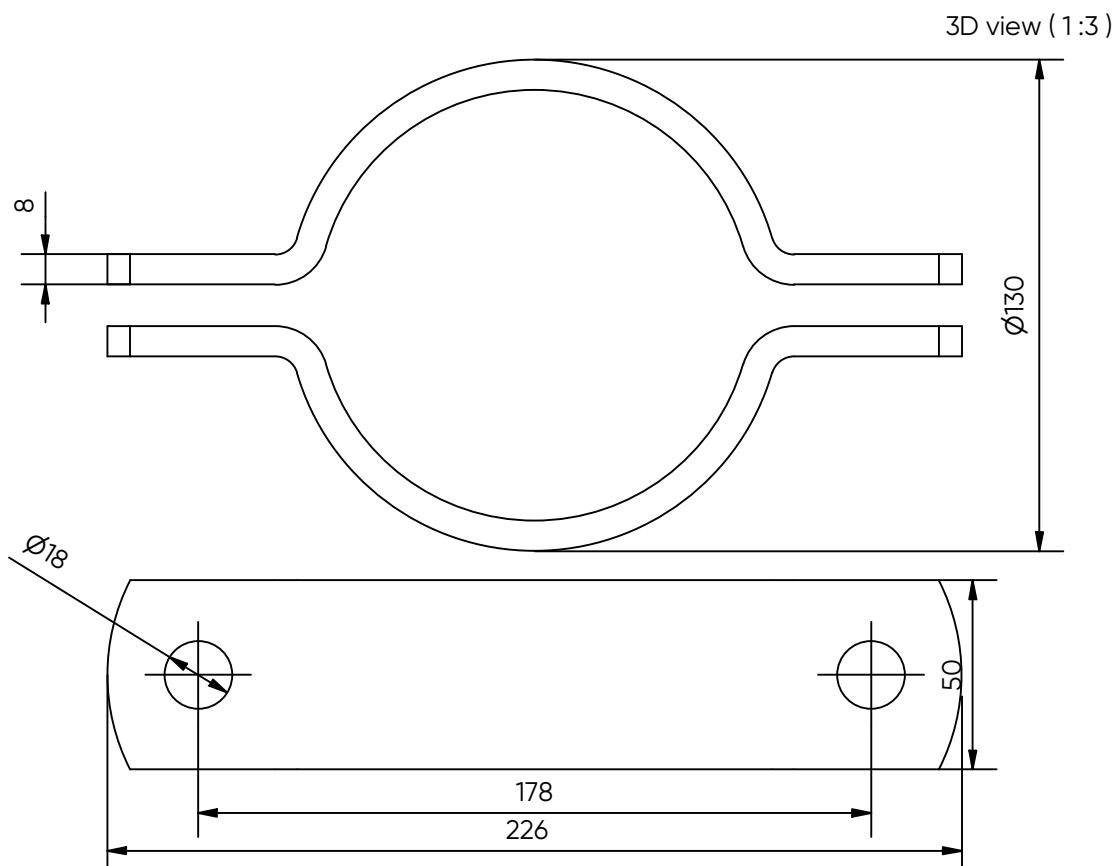
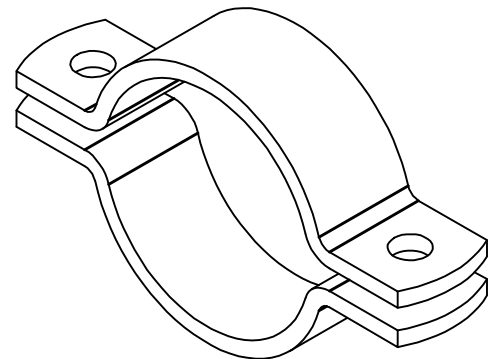


# FIRST BASE

## Tube Clamp DIN 3567 (set) model A Ø114



Art. No:	71006
Weight:	1,6 kg
Dimensions:	Product: 226 x 50 x 130 mm
Materials:	Steel grade: S235 Surface treatment: Galvanized acc. to EN-ISO 1461
Installation:	
Use:	Use for all Ø114mm products
Fixation:	M16 Bolts
Products to combine:	Use for all Ø114mm products



CE-certificate conform EN1090