

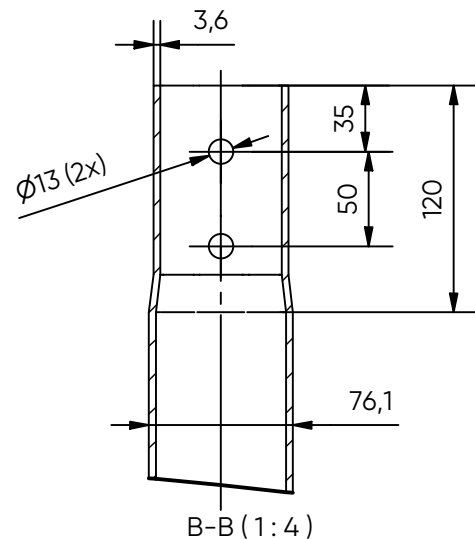
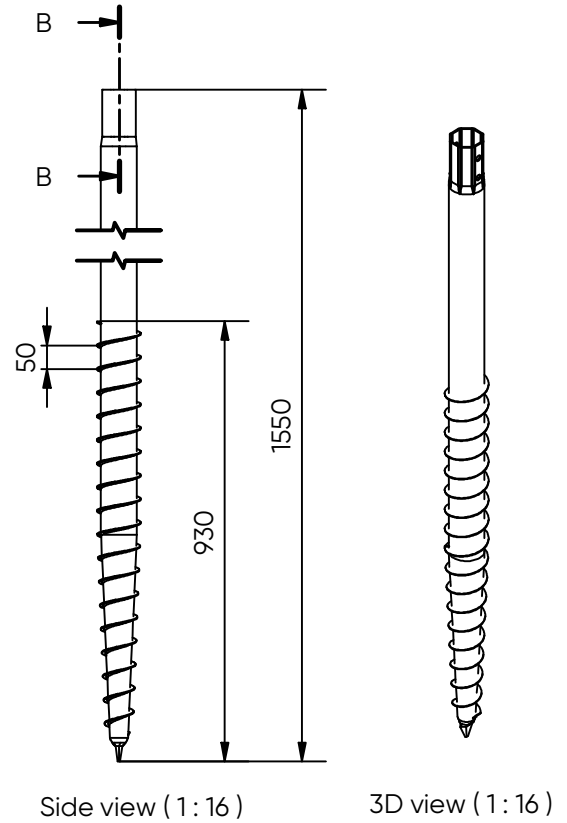
# FIRST BASE

## V-76 x 1550 SCREW PART



Art. No:	58202
Weight:	9,7 kg
Dimensions:	Pipe: 76,1 x 3,6 x 1550 mm
Materials:	Steel grade Pipe: S235 Surface treatment: Galvanized acc. to EN-ISO 1461
Installation:	Elektric machine 5.000Nm Art.No: 12001 Pneumatic machine 10.800Nm Art.No: 12005 Hydraulic machine 7.500Nm Art.No: 120950 Hydraulic machine 12.000Nm Art.No: 120960
Use:	Construction e.g. porches, garden rooms and modular homes.
Fixation:	M12 Bolts
Products to combine:	
58211 - V-76 EXTENSION 500mm	
58212 - V-76 EXTENSION 1000mm	
58213 - V-76 EXTENSION 1500mm	
58214 - V-76 EXTENSION 2000mm	
58220-V-76 ROUND FLANGE 80mm M16	
58221 - V-76 ROUND FLANGE 200mm M16	
58224 -V-76 ROUND FLANGE 200mm M20	

[Click here for the FIRST BASE Load Capacity Chart](#)



CE-certificate conform EN1090