

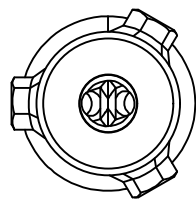
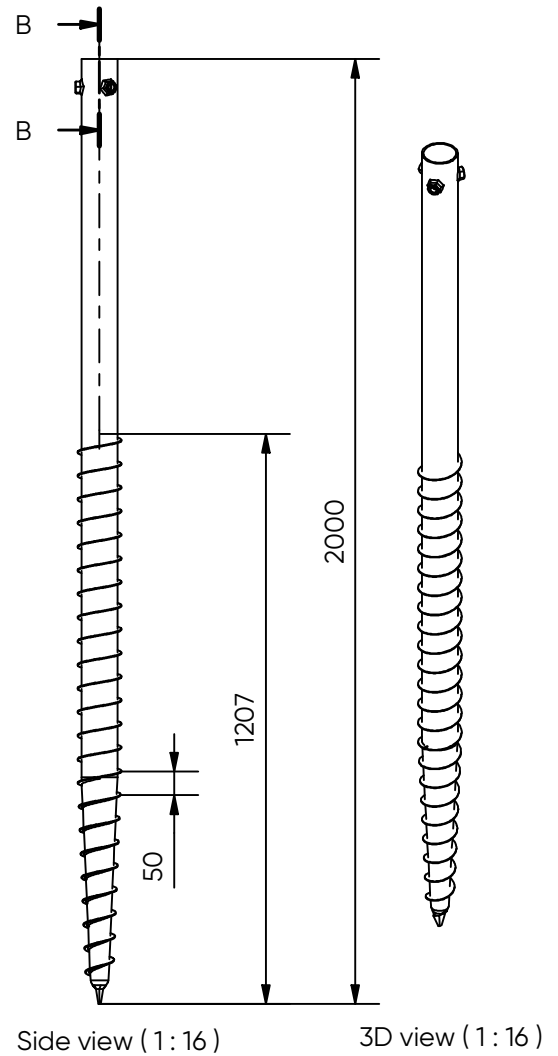
FIRST BASE Ground Screw

G3 Ø76 x 3,6 x 2000mm, Nut 3 x M16

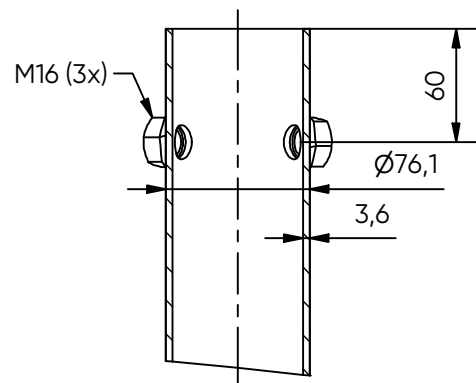


Art. No:	31024	
Weight:	12,9 kg	
Dimensions:	Pipe: 76,1 x 3,6 x 2000 mm	
Materials:	Steel grade Pipe: S235 Surface treatment: Galvanized acc. to EN-ISO 1461	
Installation:	Electric machine 5.000Nm	Art.No: 12001
	Pneumatic machine 10.800Nm	Art.No: 12005
	Hydraulic machine 7.500Nm	Art.No: 120950
	Hydraulic machine 12.000Nm	Art.No: 120960
Use:	Light construction e.g. Solar Field-setups.	
Fixation:	M16 Bolts	
Products to combine:	-	

[Click here for the FIRST BASE Load Capacity Chart](#)



Top view (1:4)



B-B (1:4)

CE-certificate conform EN1090