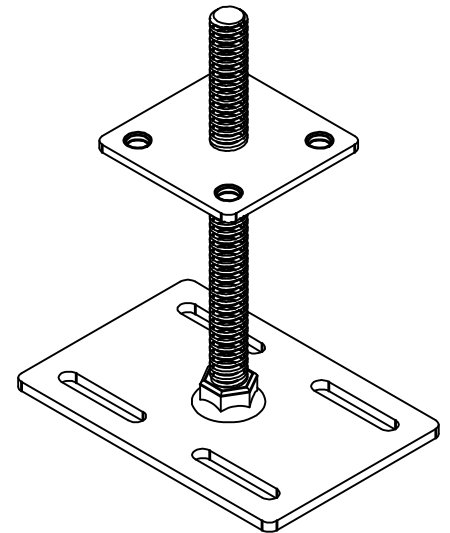


# Pole holder M20

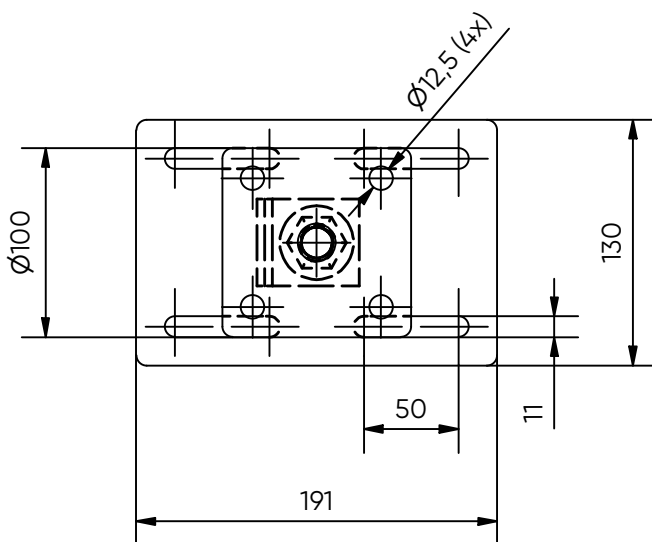
## 191x130x6mm - 100x100x5mm



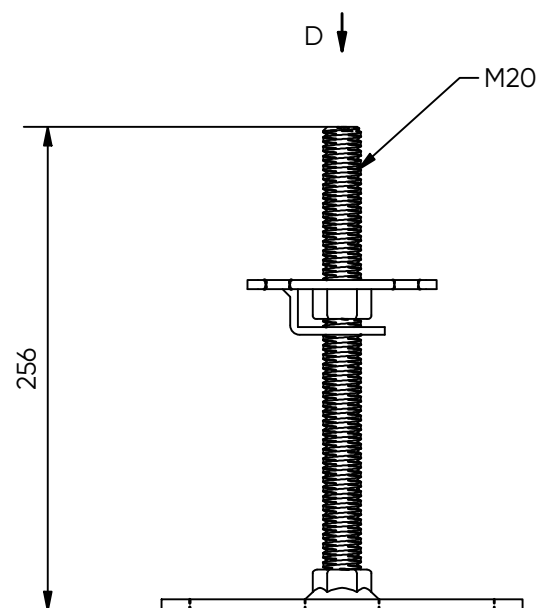
Art. No:	17021
Weight:	2,2 kg
Dimensions:	191x130x6mm - 100x100x5mm
Materials:	Steel grade: S235 Surface treatment: Galvanized acc. to EN-ISO 1461
Installation:	
Use:	Light construction e.g. playgroundsets, sheds and deckings
Fixation:	
Products to combine: All Ø76 FIXED FLANGE SERIES 58221 - V-76 ROUND FLANGE 200mm M16 58224 - V-76 ROUND FLANGE 200mm M20	



3d view (1:4)



D (1:4)



(1:4)

CE-certificate conform EN1090