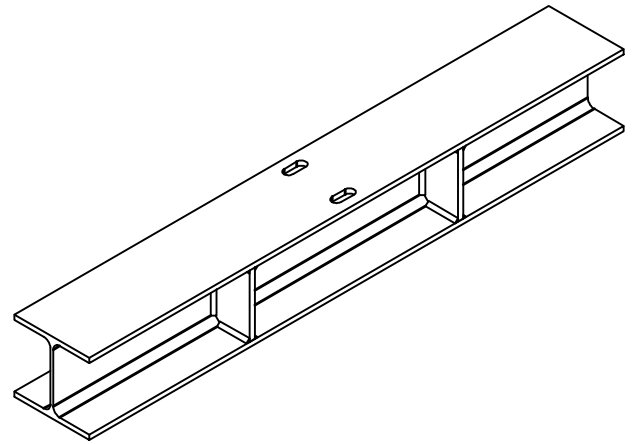


HE140A Beam Galvanized 1000mm

Art. No:	70251
Weight:	27,2 kg
Dimensions:	Beam: HE140A - 1000mm
Materials:	Steel grade Beam: S235 Surface treatment: Galvanized acc. to EN-ISO 1461
Installation:	n / a
Use:	Distribute a pile load over 2 ground screws
Fixation:	M10 / M12 / M16 Bolts
Products to combine: 70259 - HEA BEAM CLAMP 3-20mm M10/M12	



3D view (1 : 10)

