

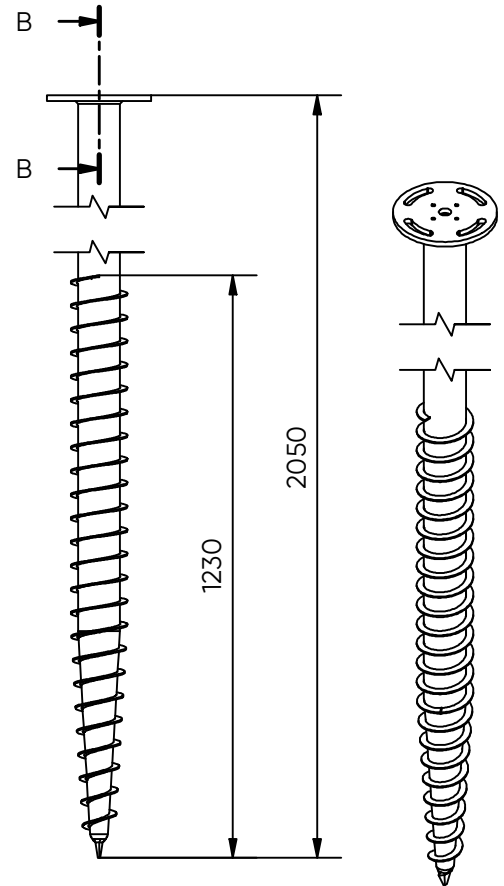
FIRST BASE Ground Screw Round Flange

Ø89 x 2050mm - M24



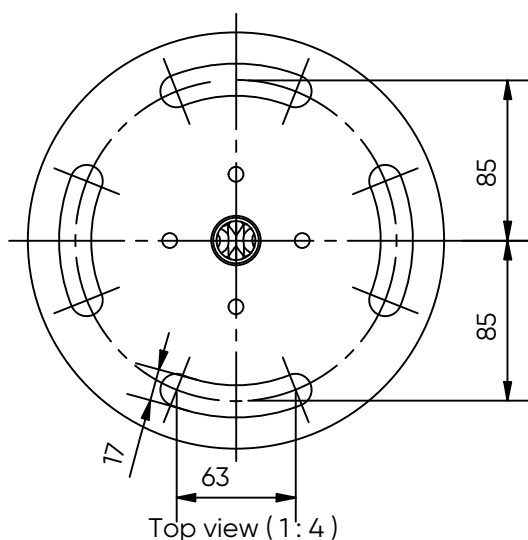
Art. No:	32044 - Ø89 x 2050mm	
Weight:	20,0 kg	
Dimensions:	Pipe: 88,9 x 3,6 x 2050 mm Flange: 12,0 x 220 mm	
Materials:	Steel grade Pipe: S235 Steel grade Flange: S355 Surface treatment: Galvanized acc. to EN-ISO 1461	
Installation:	Electric machine 5.000Nm Art.No: 12001 Pneumatic machine 10.800Nm Art.No: 12005 Hydraulic machine 7.500Nm Art.No: 120950 Hydraulic machine 12.000Nm Art.No: 120960	
Use:	Light construction e.g. porches, garden rooms and modular homes.	
Fixation:	M16 , M24 Bolts	
Products to combine:	70251 - HE140A STEEL BEAM 1000mm. 70252 - HE140B STEEL BEAM 1000mm. 17022 - L-BRACKET M16 - L-180x202x80x8mm 70103 - FLANGEPLATE ENLARGER 15x320x320mm 8xM16 (S355) 70115 - STEEL SHIM 2x220mm FOR ROUND FLANGE 12x220mm 70116 - STEEL SHIM 5x220mm FOR ROUND FLANGE 12x220mm	

[Click here for the FIRST BASE Load Capacity Chart](#)

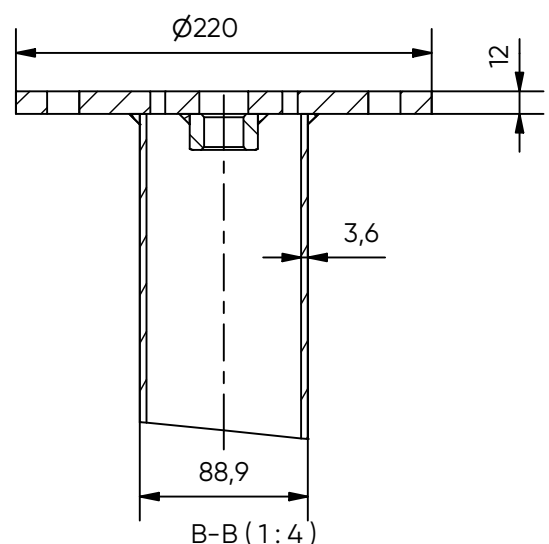


Side view (1 : 16)

3D view (1 : 16)



Top view (1 : 4)



B-B (1 : 4)

CE-certificate conform EN1090