

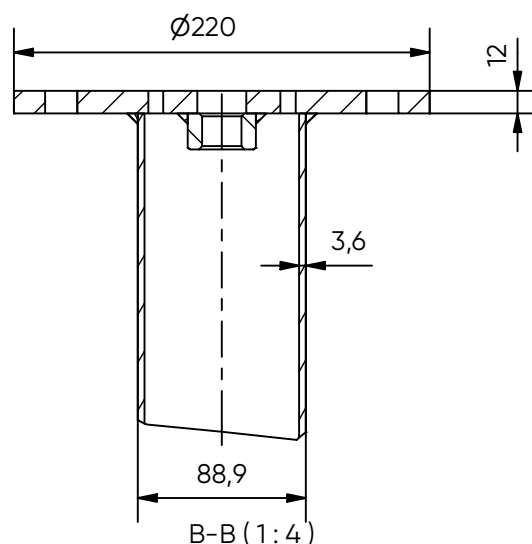
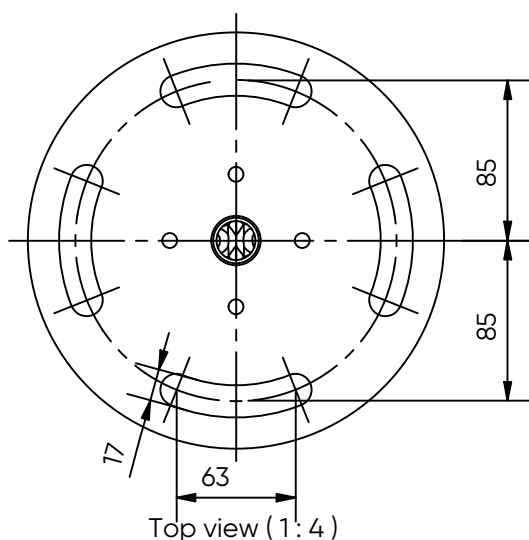
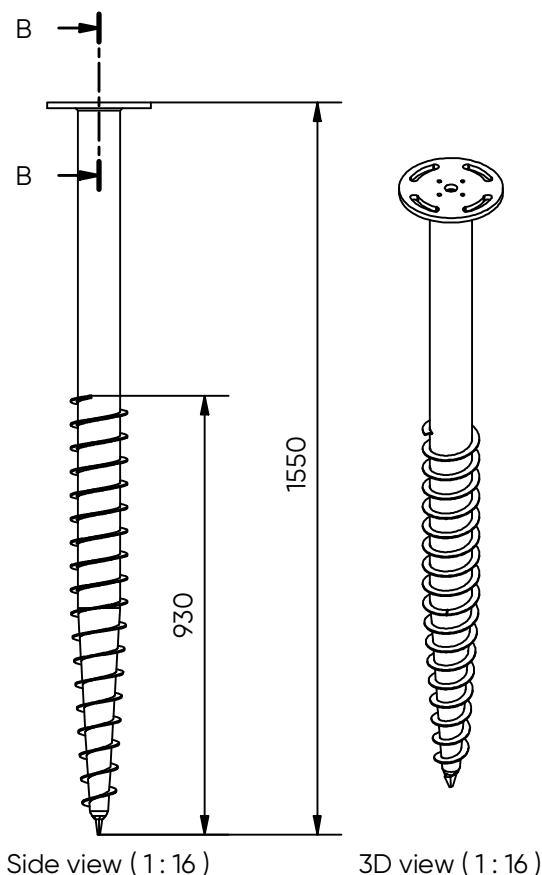
FIRST BASE Ground Screw Round Flange

Ø89 x 1550mm - M24



Art. No:	32043	
Weight:	15,4 kg	
Dimensions:	Pipe: 88,9 x 3,6 x 1550 mm Flange: 12,0 x 220 mm	
Materials:	Steel grade Pipe: S235 Steel grade Flange: S355 Surface treatment: Galvanized acc. to EN-ISO 1461	
Installation:	Electric machine 5.000Nm	Art.No: 12001
	Pneumatic machine 10.800Nm	Art.No: 12005
	Hydraulic machine 7.500Nm	Art.No: 120950
	Hydraulic machine 12.000Nm	Art.No: 120960
Use:	Light construction e.g. porches, garden rooms and modular homes.	
Fixation:	M16 , M24 Bolts	
Products to combine:	70251 - HE140A STEEL BEAM 1000mm. 70252 - HE140B STEEL BEAM 1000mm. 17022 - L-BRACKET M16 - L-180x202x80x8mm 70103 - FLANGEPLATE ENLARGER 15x320x320mm 8xM16 (S355) 70115 - STEEL SHIM 2x220mm FOR ROUND FLANGE 12x220mm 70116 - STEEL SHIM 5x220mm FOR ROUND FLANGE 12x220mm	

[Click here for the FIRST BASE Load Capacity Chart](#)



CE-certificate conform EN1090