



# V-63 DECK TOP

Art. no.: 58123

Weight: 0,25 kg

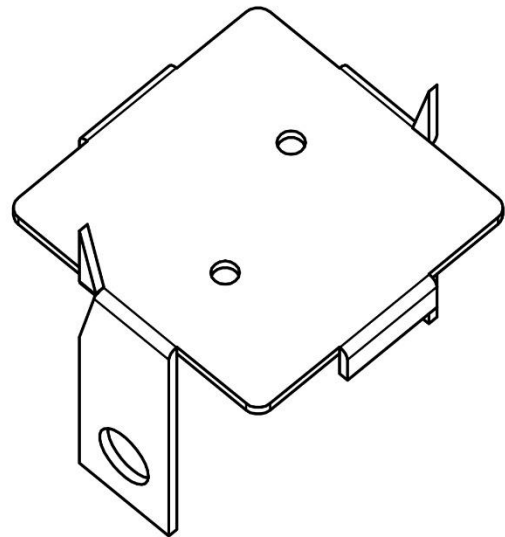
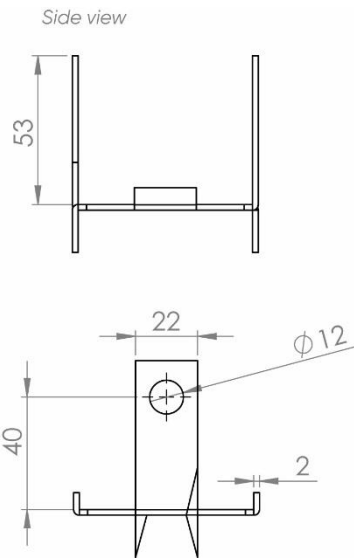
Materials: Steel: S235-2mm

Surface treatment: Hot-dip galvanized

Installation: Manual

Use: Fixation of beams and columns

Fixation: M12 x 80 Bolt  
2 x 4 mm screws



To combine with:  58101 – Ground Screw $\phi 63,5 \times 80$ mm 58111 – Extension $\phi 63 \times 330$ mm 58112 – Extension $\phi 63 \times 580$ mm	Drawing description V-63 Deck Top		
	Date 12/2020	Signed NVO	Sheet number 1 van 1
	Drawing number 58123_V1	Format A4	Document status DEF.
	FIRST BASE GROUND SCREWS Patersweg 2, 5406 XJ Uden, Holland.		
			<a href="mailto:info@firstbasegroundscrews.com">info@firstbasegroundscrews.com</a> <a href="http://www.firstbasegroundscrews.com">www.firstbasegroundscrews.com</a> 0031 413 432 052