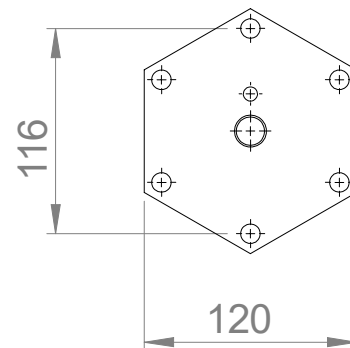
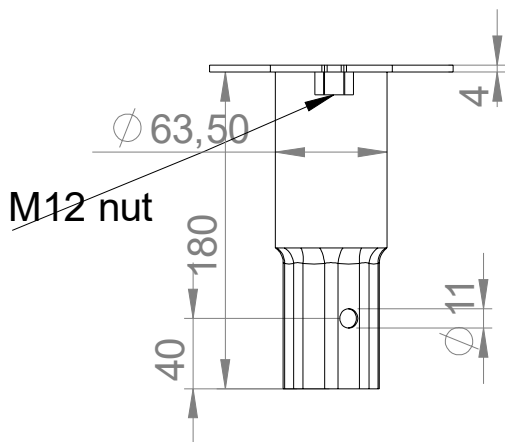
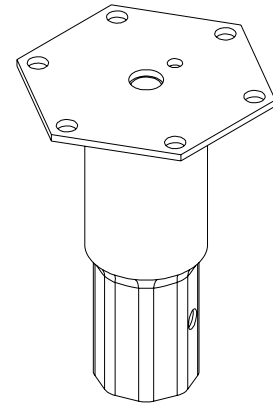


TECHNICAL DATA SHEET

D-I-Y HEX TOP M12 Ø63 x 180mm



Art. no:	58122
Weight:	1,00 kg
Dimensions:	Pipe: 63,5 x 2,0 x 180 mm Flange: 120,0 x 116,0 x 4,0 mm
Materials:	Steel Type Pipe: S235 Steel Type Flange: S355 Surface treatment: Galvanized according to DIN EN ISO 1461
Installation:	Manual (Art.No: 58199)
Use:	Light construction e.g. playgroundsets, sheds and deckings.
Fixation:	M10 Bolts



Drawing description		
D-I-Y HEX TOP Ø63 x 180mm		
Date	Signed	Sheet number
12/2018	DVDE	1 of 1
Drawing number	Format	Document status
58122-V1	A4	DEF.

FIRST BASE GROUND SCREWS
Patersweg 2, 5406 XJ
Uden, Holland.

info@firstbasegroundscrews.com
www.firstbasegroundscrews.com
0031 413 432 052

Products to combine:

- 58101 – V-63 GROUND SCREW 580mm
- 58111 – V-63 EXTENSION 250mm
- 58112 – V-63 EXTENSION 500mm
- 58131 – L/U-BRACKET M16
- 58135 – POLEHOLDER M16

[Click here](#) for the FIRST BASE Load Capacity Chart